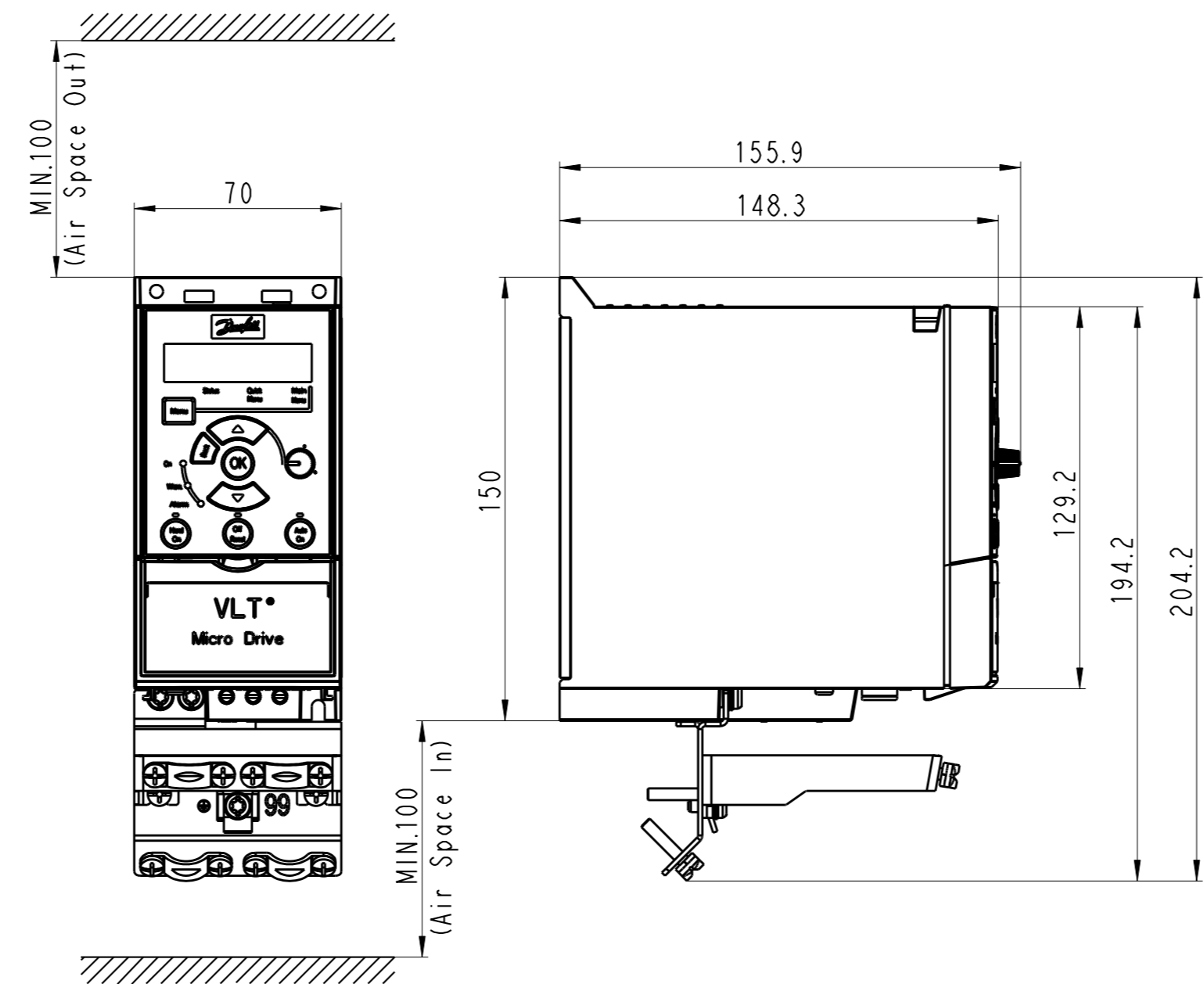
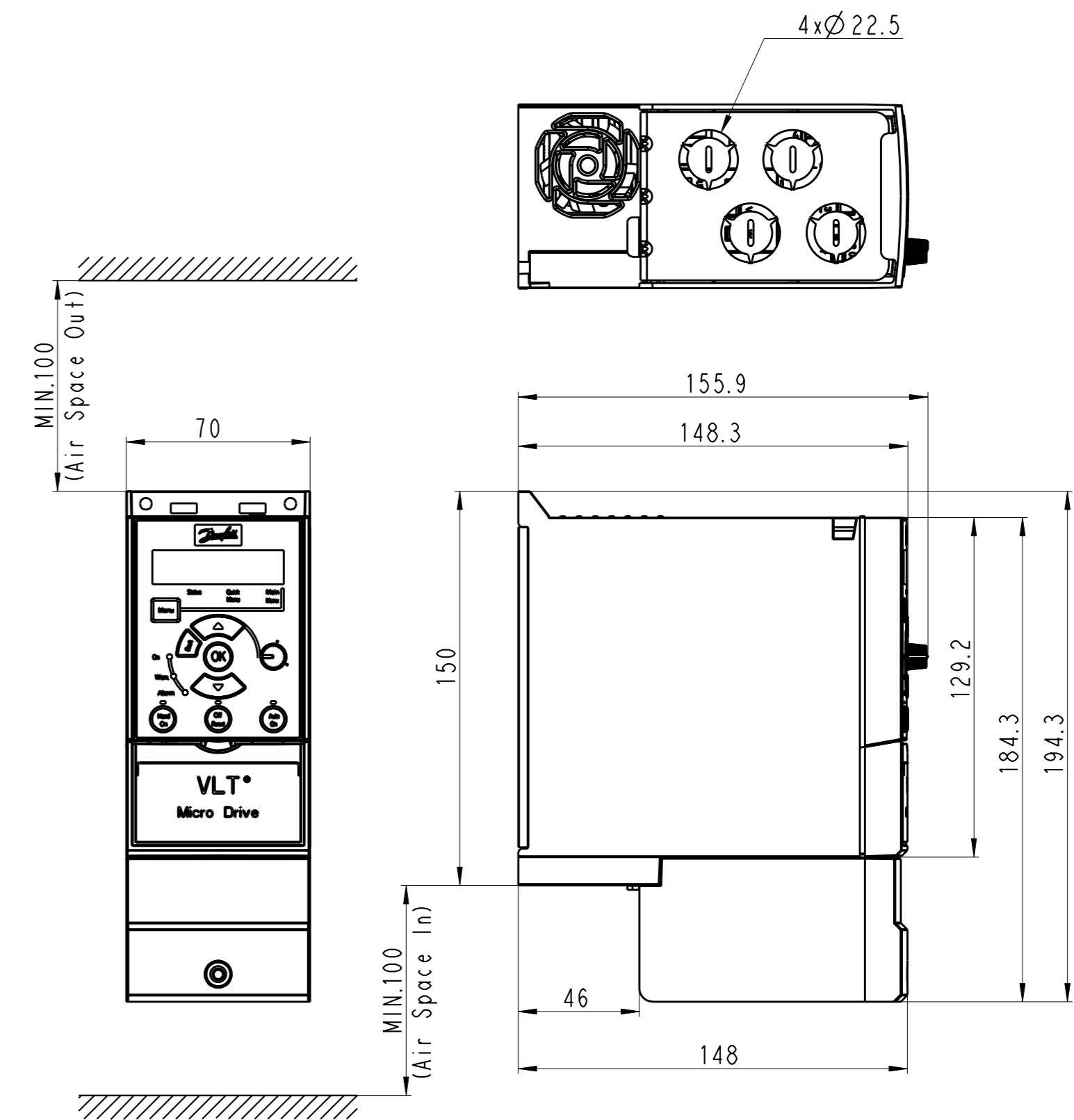


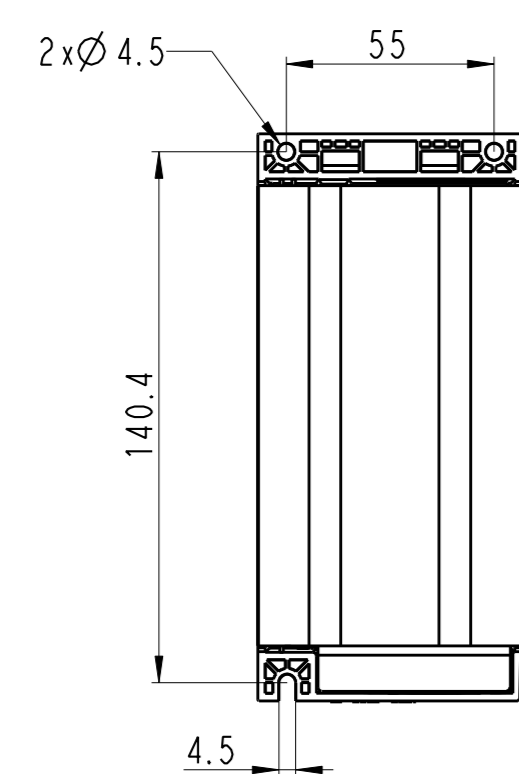
STANDARD



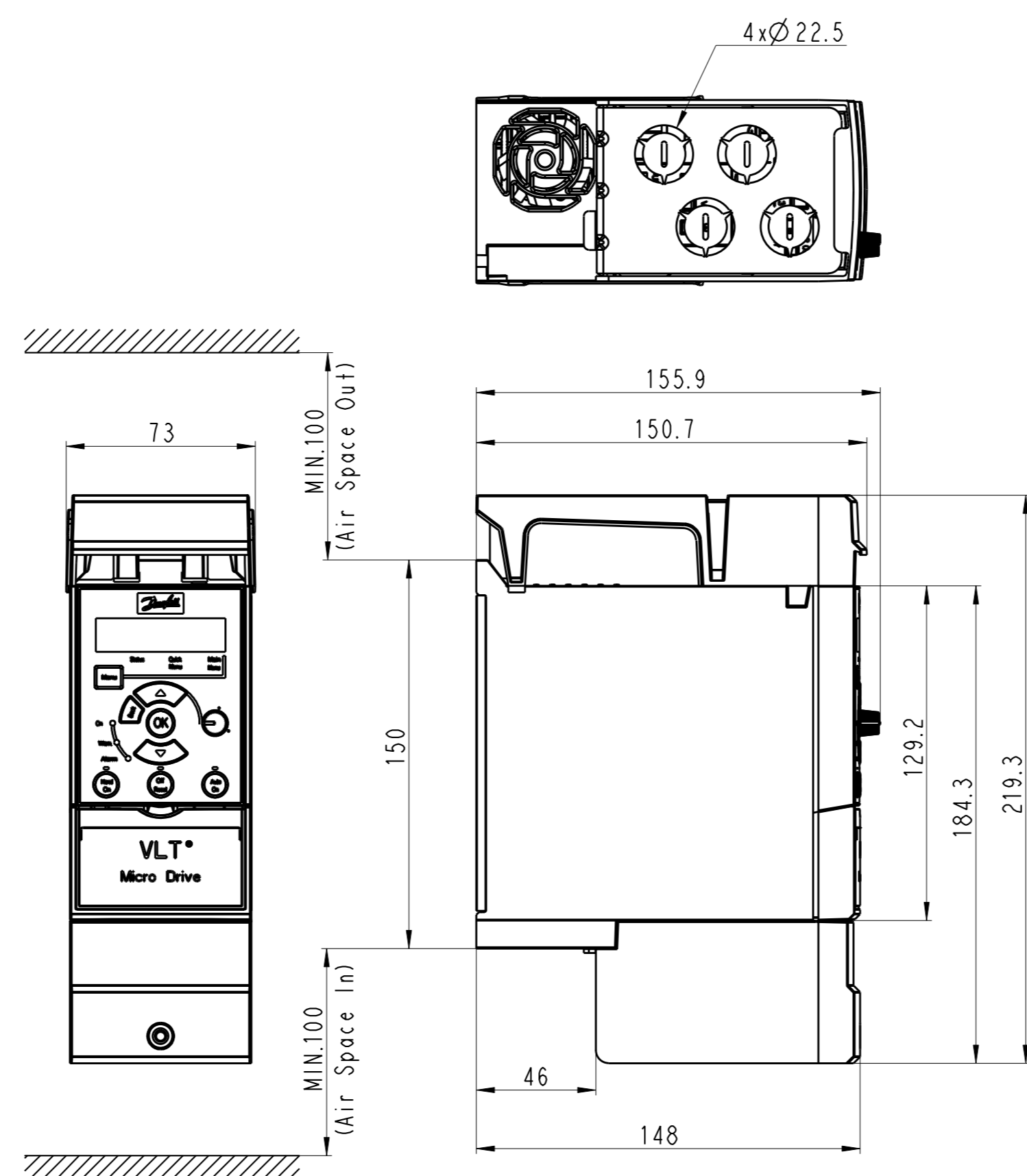
DECOUPLING-OPTION



NEMA-OPTION



MOUNTING-BASE



IP21-OPTION

Projection 	Scale / Paper size 1:2 / A1		Matr./Spec. Danfoss standard
Last revised by Liang Wanchun	Date 2006.11.30		Designation FC51-MI
Confidential: Property of Danfoss Drives A/S. Not to be handed over to, copied or used by third party. Two- or three dimensional reproduction of contents to be authorized by Danfoss Drives A/S.			Part no. MI-OUTLINE
PDM controlled drawing. Hard copy not valid without frozen date in ID stamp.			Sh. 1 of 1
			Rev. 001

Model: MI-ASSEM